

VERDERAIR

VA-E80



Description

The VA-E80 is an electrically driven double diaphragm pump. With the wide range of different available materials for pump body, valve seats, valve balls and diaphragms, this pump is the ideal problem solver in a wide range of applications across many industries. The VA-E80 can run in “low pulsation mode” to reduce the generated pulsations in the flow or in “transfer mode” to generate a higher flow rate.

Your benefits

- Energy efficient
- Smoother flow in “low Pulsation Mode”
- Low noise level
- Can stall against close discharge
- Can run dry without damage
- Dry self priming

Technical Data				
Weight +/- (kg)	Drive option	Fluid & air section		
	WG	AA	62	
		PA	58	
		SA	90	
	AC5K5	Extra weight on the drive option WG above	+65	
	AX5K5	Extra weight on the drive option WG above	+117	
A25K5	Extra weight on the drive option WG above	+78		
Max. Suction lift (mwc)		Dry	4,8	
		Wet	9,4	
Temperature (°C)	Fluid section A,S	Internals		
		AC	-12	82
		BN	-12	82
		GE	-40	66
		PP	0	66
		TF	4	104
	P	SP	-40	82
		HY	-29	66
		All except TF	0	66
		TF	4	66
Max. Particle size (mm)			12,7	
Air connection			3/8" NPT(f)	
Air consumption (Nm³/h)			< 0,006	
Max. recommended viscosity (mPas)			25.000	

VERDERAIR

VA-E80



Code VA-E80 No.1 No.2 No.3 No.4.No.5.No.6.No.7

No. 1 Fluid Section Material

- ⊕ A = Aluminium
- ⊕ S = Stainless Steel
- P = Polypropylene

No. 2 Center Section Material

- A = Aluminium

No. 3 Check Valve seat material

- BN = Buna-N
- GE = Geolast
- HY = Hytrel
- SP = Santoprene
- SS = Stainless Steel
- PP = Polypropylene

No. 4 Check ball valves material

- AC = Acetal
- BN = Buna-N
- GE = Geolast
- TF = PTFE
- SP = Santoprene

No. 5 Diaphragm material

- GE = Geolast
- TF = PTFE
- SP = Santoprene
- HY - Hytrel

No. 6 Connections

- FC = Center flanged
- TN = Threaded NPT
- TB = Threaded BSP

No. 7 Drive options

- ⊕ WG = No Gearbox - No Drive
- AC5K5 = Gearbox with 5,5 kW AC drive (pump speeds: 145 or 130RPM)
- ⊕ AX5K5 = Gearbox with 5,5kW ATEX drive (pump speeds: +/-125 RPM)
- A25K5 = AC5K5 + Integrated 240V compressor in frame

Example pump type

VA-E80AA SS TF TF TN AC5K5-145

NOTE not all combinations are available

* ⊕ II 2 G Ex d h IIB T3 Gb

** ⊕ II 2 G Ex h IIB T3 Gb

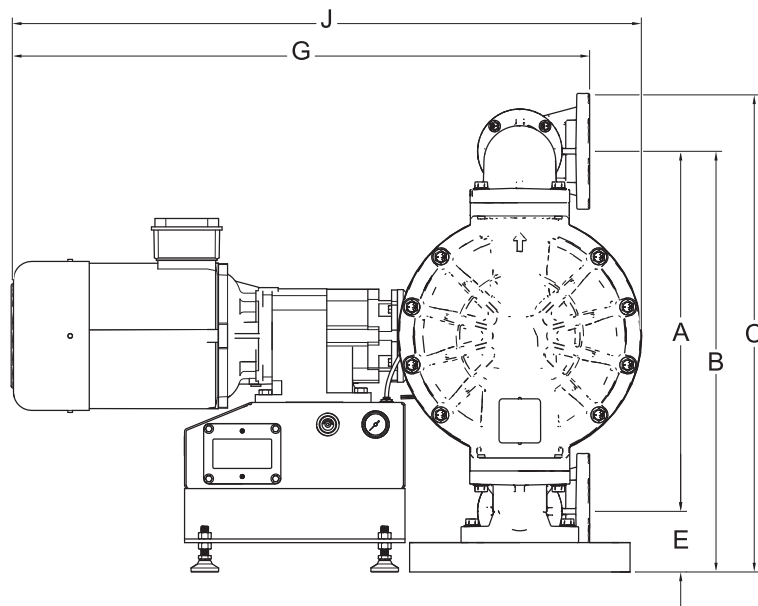
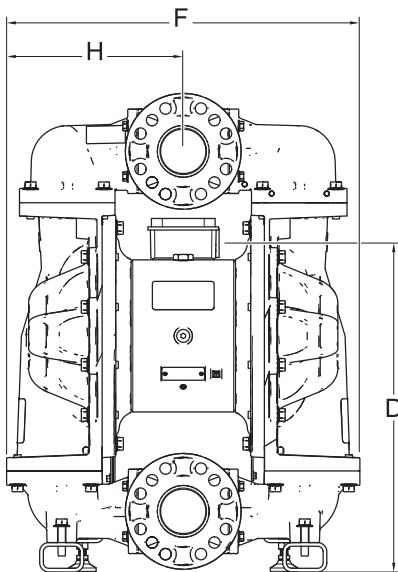
VERDERAIR

VA-E80



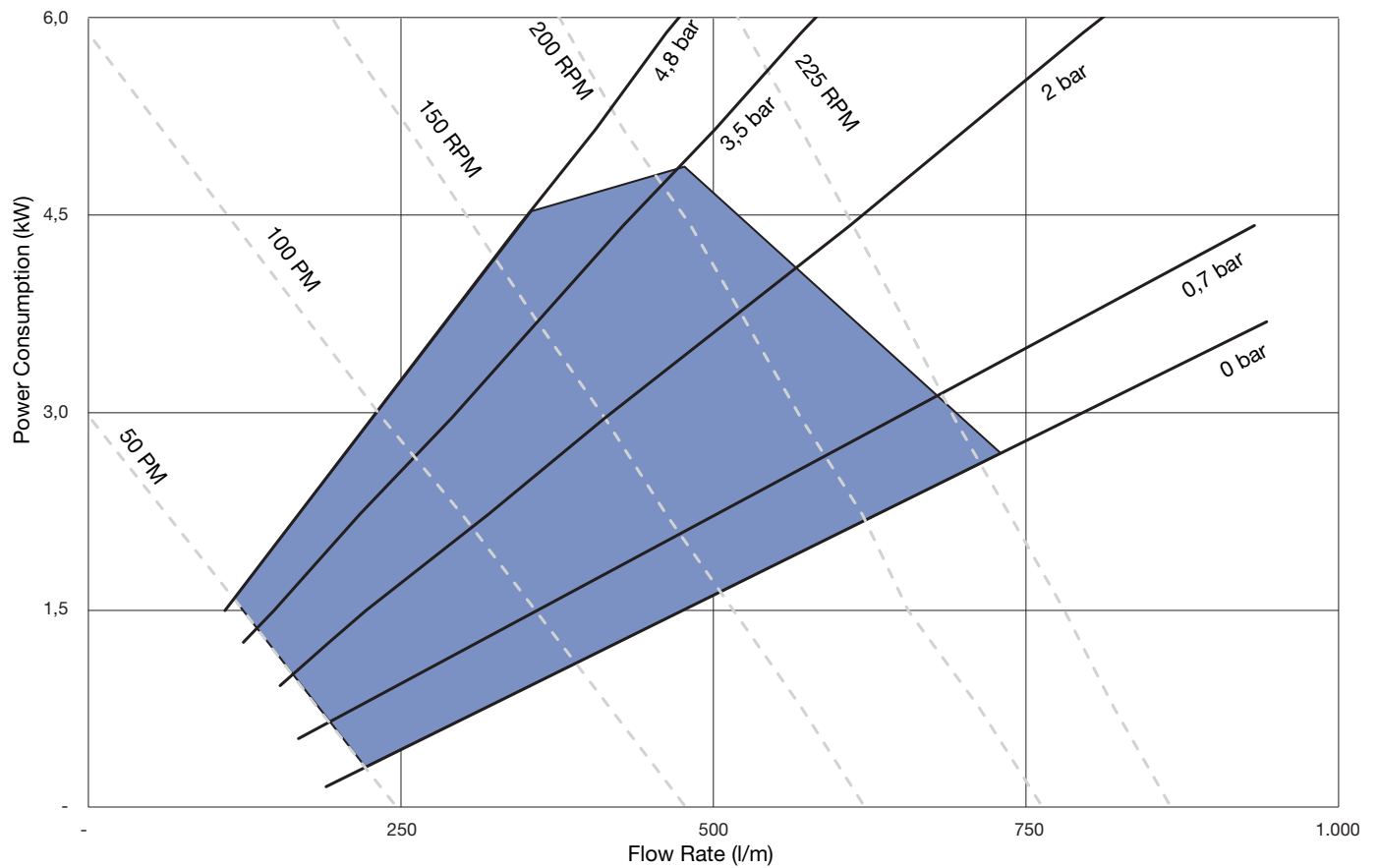
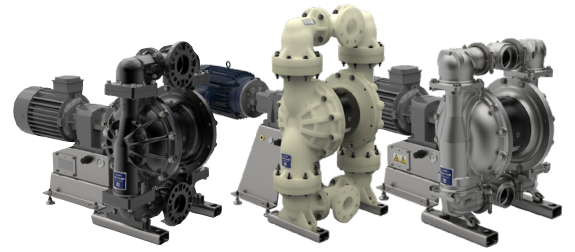
Dimensions for Aluminum Pumps

Gearbox and Motor Code – Dimensions shown in cm					
Ref.	WG	AC5	A25	AX5	AF5
A	50.5	50.5	50.5	50.5	50.5
B	55.6	55.6	55.6	55.6	55.6
C	59.9	59.9	59.9	59.9	59.9
D	-	44.2	44.2	46.7	27.2
E	5.1	5.1	5.1	5.1	5.1
F	44.5	44.5	44.5	44.5	44.5
G	-	87.9	87.9	105.2	111.3
H	16.0	16.0	16.0	16.0	16.0
J	-	103.9	103.9	121.2	127.3

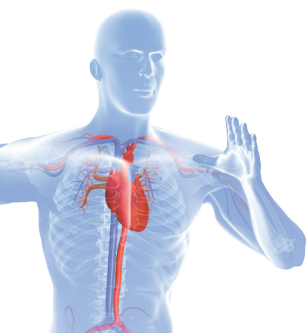


All dimensions are in cm.
All dimensions are for guidance only.

VERDERAIR
VA-E80



000-VA-21_Datasheets_VA-E80_EU



Find your local supplier at www.verderair.com

For construction, installation and floor mounting drawings please contact your local authorised Verderair® distributor.