

Verderair

VA 25 HP (DA) Metallic



VERDERAIR®

Description

The VA25 HP 2:1 metallic double diaphragm pump is a double acting (DA) high pressure AODD pump. The pump can switch from "low pressure" working, to fill a filter press as a standard operating AODD, to "high pressure working", to press the filter press with a 2:1 ratio. So the compressed air to feed the pump is optimal used first to pump the liquid and then to boost-up the pressure in the filter press.

Your benefits

- Energy efficient
- Double acting
- Switch to change from low pressure setting to high pressure setting
- Less downtime
- Easy to install, operate and maintain
- Ant-ice muffler
- Non stalling air valve
- Dry self priming

Technical data			
Weight [kg]	Fluid & air section	AA	21,8
		SA	27,2
Max. suction lift [mwc]		Dry	4,9
		Wet	8,8
Temperature [°C]	Fluid section	Internals	
	All materials	BN	-12 82
		GE	-40 66
		NO, NW	-18 82
		SP	-40 82
		TF	4 82
Max. Particle size [mm]			3,2
Max. recommended viscosity (mPas)			10000

Code VA25HP No.1 No.2 No.3 No.4. No.5 No.6 No.7		
<p>No.1 Fluid section</p> <p>⚠ A = Aluminium</p> <p>⚠ S = Stainless steel</p> <p>No.2 Air section</p> <p>⚠ A = Aluminium</p> <p>No.3 Check valve seats</p> <p>GE = Geolast</p> <p>SP = Santoprene</p>	<p>SS = Stainless steel</p> <p>No. 4 Check Valves</p> <p>GE = Geolast</p> <p>SP = Santoprene</p> <p>SS = Stainless Steel</p> <p>NW = Neoprene weighed</p> <p>No.5 Diaphragms</p> <p>BN = Buna-N</p>	<p>NO = Neoprene overmolded</p> <p>SP = Santoprene</p> <p>TF = PFTE/santoprene 2 piece</p> <p>No. 6 Connections</p> <p>TB = Threaded BSP</p> <p>TN = Threaded NPT</p> <p>No. 7 Options</p> <p>OO = Standard</p>

EXAMPLE PUMP TYPE

VA25HPAA SS GE GE TB OO

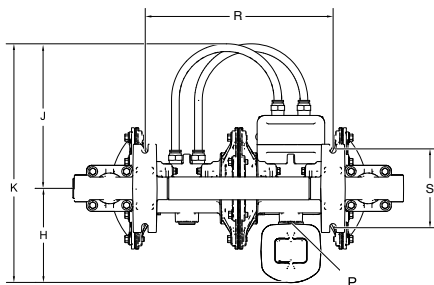
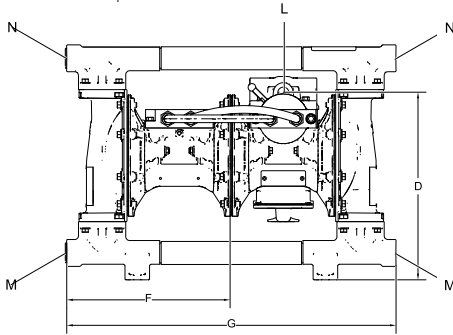
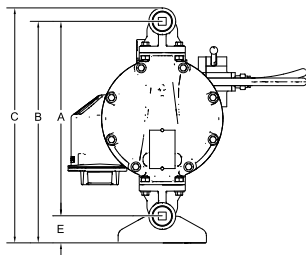
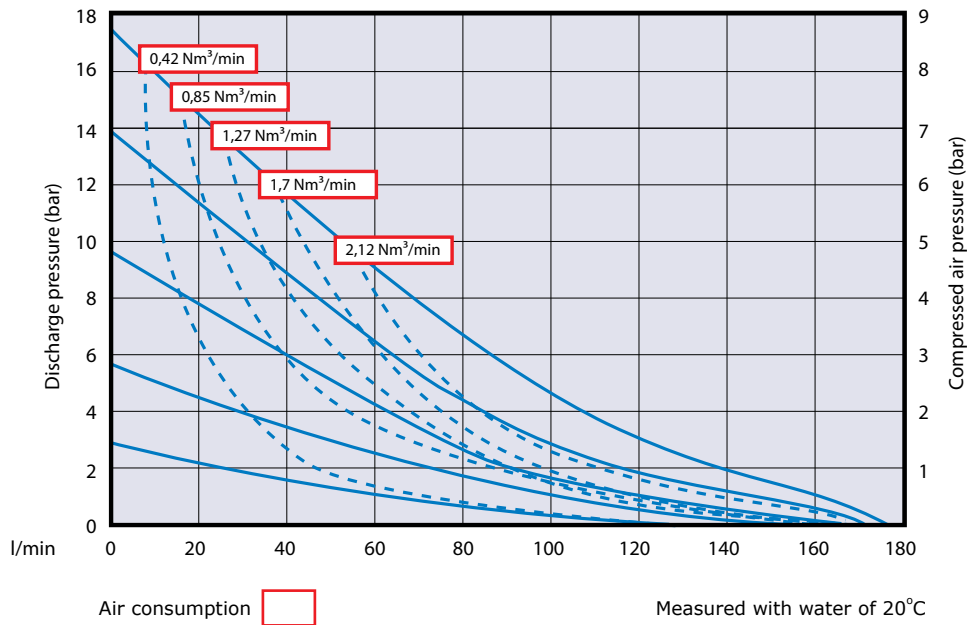
NOTE not all combinations are available

Verderair

VA 25 HP (DA) Metallic



VERDERAIR®



Dimensions in mm

	Aluminium pumps	Stainless Steel pumps
A	323	300
B	366	328
C	389	348
D	277	241
E	46	28
F	274	272
G	546	523
H	157	157
J	239	239
K	396	396
L	3/4 NPT(f)	3/4 NPT(f)
M	2 x 1" NPT(f) or BSPT(f)	1 x 1" NPT(f) or BSPT(f)
N	2 x 1" NPT(f) or BSPT(f)	1 x 1" NPT(f) or BSPT(f)
P	3/4 NPT(f)	3/4 NPT(f)
R	312	312
S	127	127

All dimensions are in mm.
All dimensions are for guidance only.

Find your local supplier
at www.verderair.com

For construction, installation and floor mounting drawings
please contact your local authorised Verderair® distributor.

VERDER
passion for pumps

