

Verderair

VA 40 high pressure

VA40HP S



VERDERAIR

Technical data		
Weight [kg]	Aluminium with Aluminium centre section	15
	Stainless Steel with Aluminium centre section	32,7
	Stainless Steel with Stainless Steel centre section	40
Suction lift [mwc]	Dry	2,5
	Wet	5,5
Temperature [°C]	Aluminium	5-65*
	Stainless Steel	5-65*
Max. particle size [mm]		4,8
Non wetted material, centre section	Epoxy coated Aluminium/Stainless Steel	

* 93°C with Teflon diaphragms

CODES VA40HP NO.2

NO.3 NO.4 NO.5

no.2 material of casing

- AL = Aluminium
- SS = Stainless Steel

no.3 material of seat

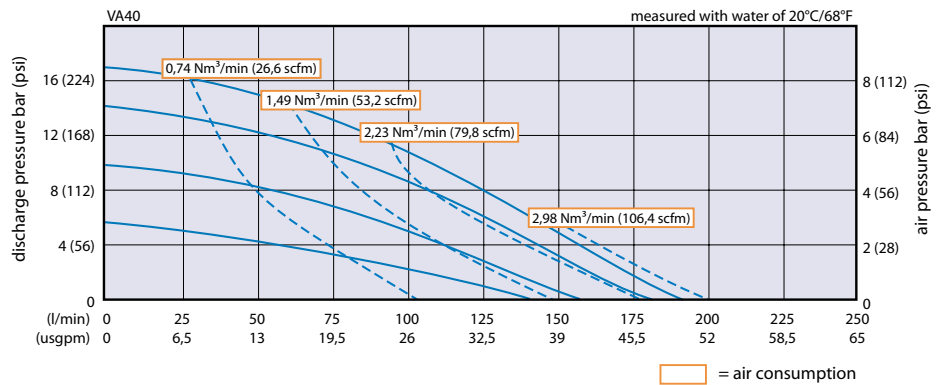
- PP = Polypropylene
- KY = Kynar
- SS = Stainless Steel
- HS = Hardened Steel
- HY = Hytrel
- SP = Santoprene
- VT = Viton
- BN = Buna N
- GE = Geolast

no.4 material of valve

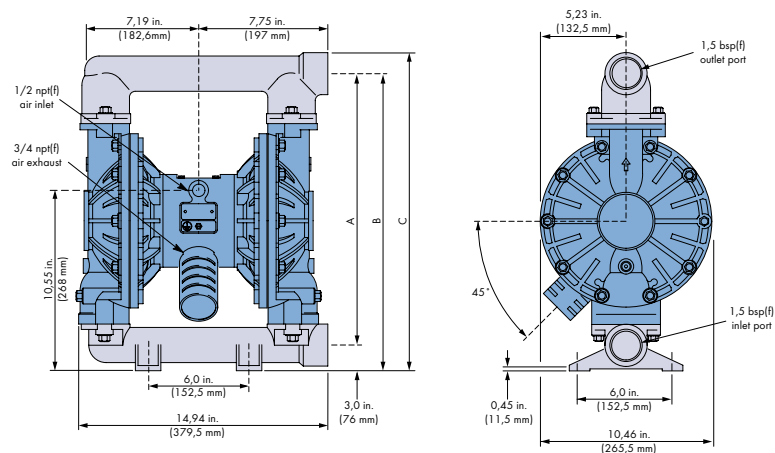
- AC = Acetal
- GE = Geolast
- HS = Hardened Steel
- HY = Hytrel
- SP = Santoprene
- TF = Teflon
- VT = Viton

no.5 material of diaphragm

- TF = Teflon
- HY = Hytrel
- SP = Santoprene
- VT = Viton
- GE = Geolast



	Dimensions Aluminum pumps	Dimensions SST pumps
A	427 mm	412,5 mm
B	465 mm	451,0 mm
C	497 mm	482,5 mm



VA40HP_Techno_Rev03-2012_(eu)

Find your local supplier at www.verderair.com

