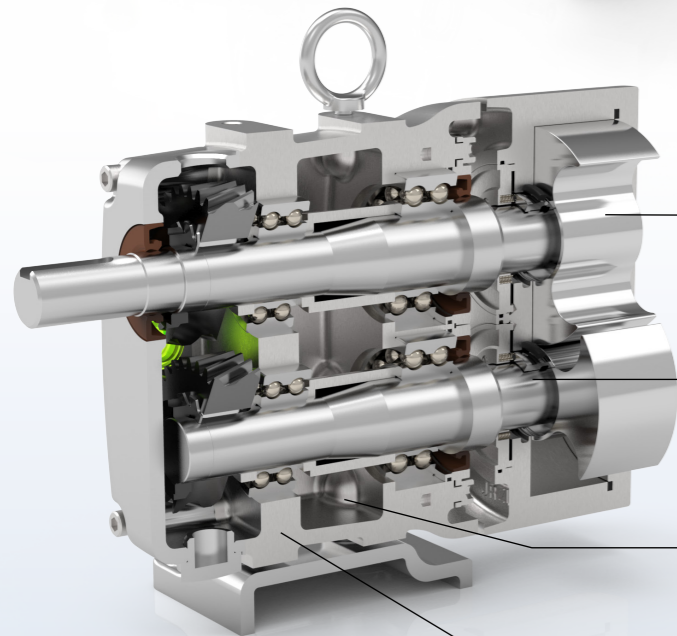
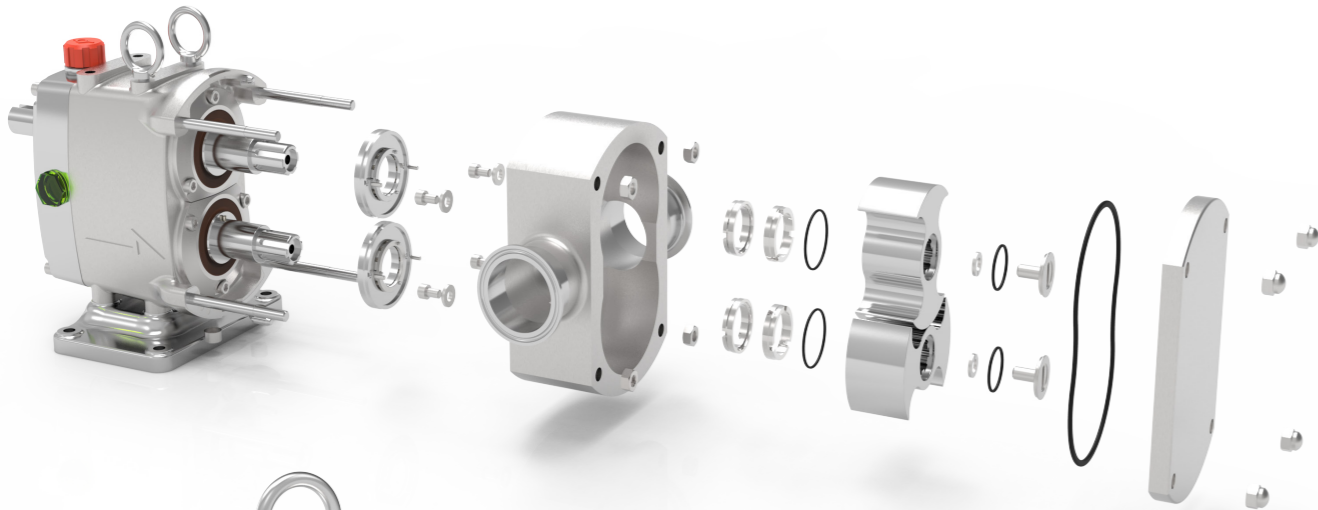


Pump series ZL



Characteristics

Packo rotary lobe pumps are state of the art. The series can be equipped with a variety of rotors and options to adapt to almost all hygienic pumping applications. This guarantees an optimal and efficient operation of the pumping process.

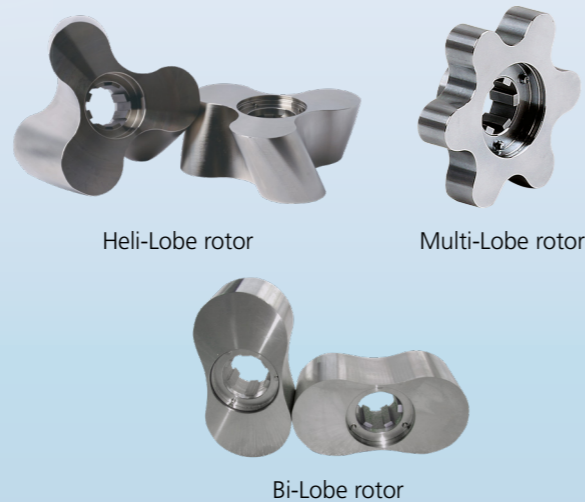


ZL

- 1 Available with various rotor geometries (Bi-Wing, Tri-Lobe, Heli-Lobe, Multi-Lobe, Single Wing, Bi-Lobe): the optimal solution is available for every application.
- 2 Rotors can be changed without timing spindles, or opening the gearbox for adjustments.
- 3 Available with various sealing arrangements: single, flushed, double, O-ring seal, triple lip seal, etc. which are interchangeable.
- 4 Wetted seal parts can be replaced without disassembling the rotor case: pump does not need to be mounted out of the installation to change seals.
- 5 Food grade oil-filled gearbox increases bearing lifetime and requires minimal service effort. Ball bearings generate very low heat, helical and grinded gears guarantee smooth operation.
- 6 Investment cast stainless steel gearbox available.

Application areas

The Packo pumps of the ZL series are designed for a wide range of hygienic applications in dairies, breweries, the pharma and cosmetics industry and bakeries, as well as for pumping liqueurs, detergents, shampoos, gels, etc. They are the ideal solution for gentle pumping of low to high viscous liquids.



Your benefits

Cleaner

- Certified to EHEDG, 3A and EC1935/2004
 - Wetted surfaces with Ra < 0.6 µm
 - Wetted parts in SS316L

Improved CIP performance

- Optimized design to eliminate dead spaces, O-ring grooves without dead corners
- Wetted parts of mechanical seals directly in the product stream

Shorter downtimes / higher flexibility

- **Faster maintenance**
 - Pump can stay in piping during replacing seals thanks to front loaded seals
 - No need to open gearbox for adjusting axial clearances between rotors and casing
 - Rotors can be changed without timing

Universal mounting

- Top or bottom shaft can be switched without gearbox disassembly
- Pumps can be mounted with both horizontal and vertical port connections

- Heating jackets for casing and front cover, pressure relieve valve, by-pass valve and many more options available

Pump series

ZL

Performances

Max flow rate	100 m ³ /h
Max viscosity	1.000.000 cP
Max differential pressure	20 bar
Max temperature	150°C

Technical specifications

Materials wetted parts	stainless steel 316L
Seal configuration	single, flushed, double mechanical seal, O-ring seal, triple lip seal
Available material O-ring	EPDM, FKM, FFKM
Connections	sanitary and industrial fittings, rectangular inlet available
Mounting position	horizontal and vertical
Surface finish	food quality, internal welds hand polished to 0.6 µm

Certificates & legislation



Pump curves

